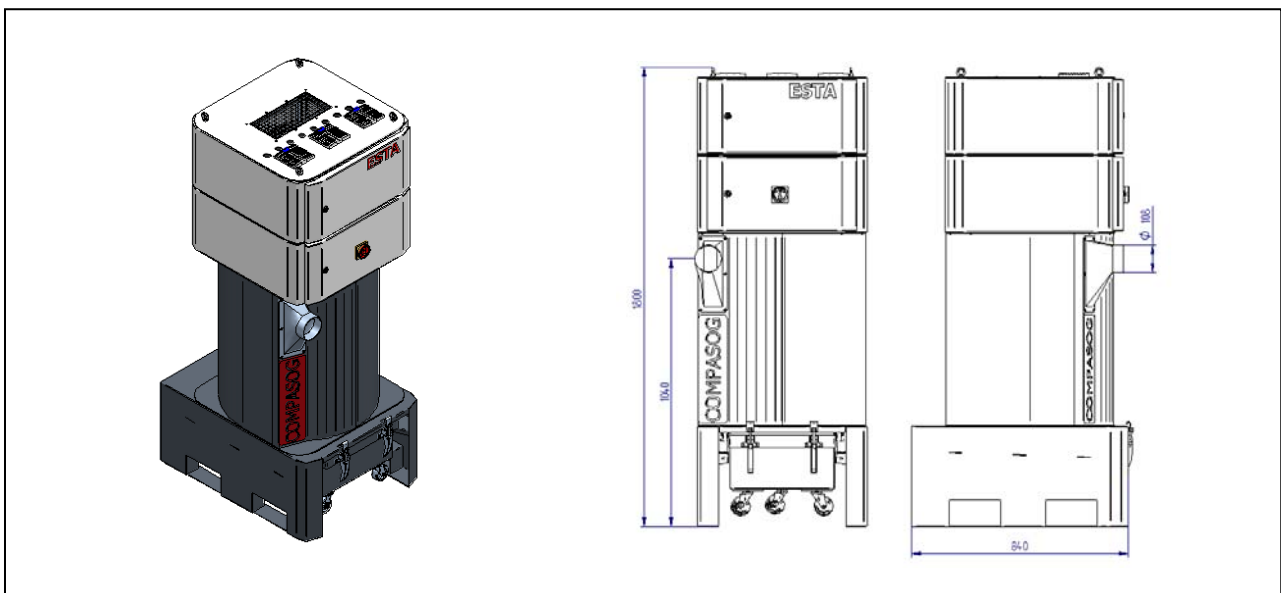


COMPASOG-ST

(83.400)

Voltage	(V)	400	Filter surface	(m ²)	8,6
Motor	(kW)	3 x 1,8	Quantity of filter	(pc)	1
Current	(A)	13	Filter material	dust classification „M“	
Rated frequency	(Hz)	50	Filter cleaning	Pulse-Jet	
Fuse	(A)	32	Weight	(kg)	approx. 210
Max. neg. pressure	(Pa)	22.000	Intake	(mm)	ø 108
Max. airflow	(m ³ /h)	980	Dust collection bin	(liter)	approx. 40
Sound emission	(dBA)	73	Dimensions (L x W x H)	(mm)	840 x 670 x 1.800
			Comp. air requirement	(l/impuls)	22
			Comp. air connection	(bar)	4-6



ESTA PLUS

Application range:

Dust extraction at individual and multiple workstations for machines in industrial plants or smaller shops
Pourable dust

Your benefits at a glance:

Compact and powerful
Low operating costs
Convenient dust disposal
Can be used as a central extraction system
Suitable for nearly all types of dust

Characteristics:

Pulse-jet filter cleaning system
Integrated cyclonic separator
Cleanable long life cartridge filters (dust classification M)

Brushless suction turbines (for continuous operation)

Optional with backup filter cassette (Dust class H)
Optional ATEX-version

State of the art: 83400-51-00 Subject to change without notice! For remaining questions please do not hesitate to contact us.