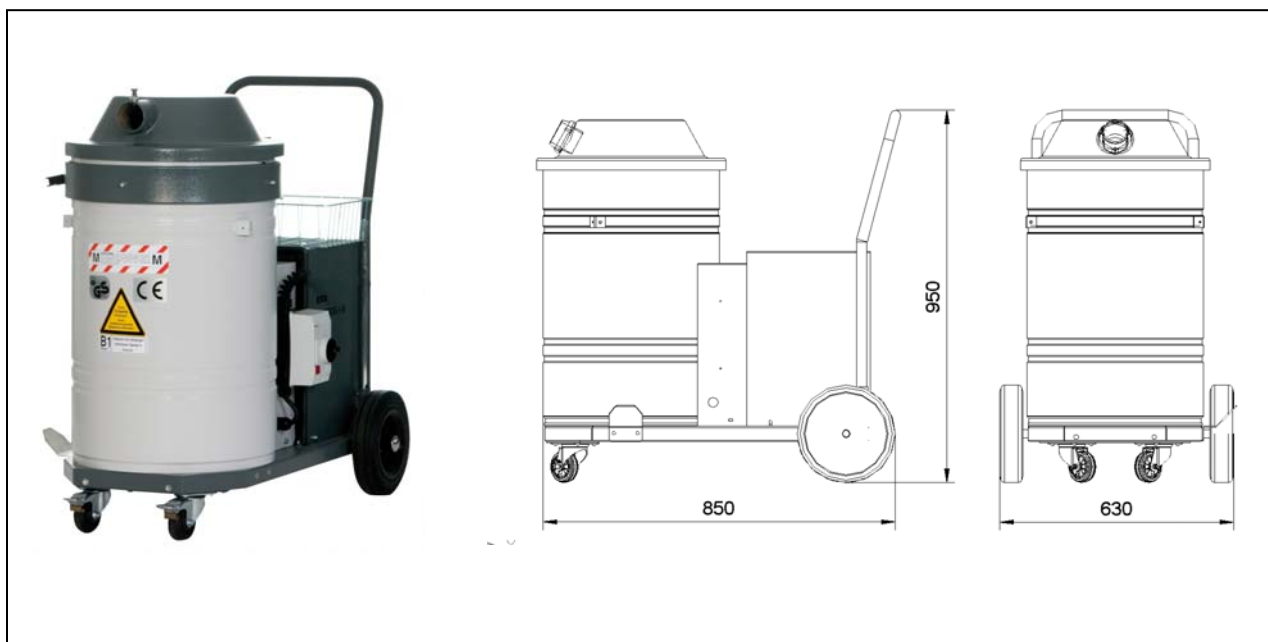


# DUROSOG I-D/H/B1

(8122B)

Voltage	(V)	400	Filter surface pre-filter "M"	(m <sup>2</sup> )	3
Motor	(kW)	2,2	No. of filter elements	(pc)	1
Ampere	(A)	4,5	Filter material	dust classification "H"	
Rated frequency	(Hz)	50	Weight	(kg)	80
Fuse	(A)	16	Intake	(mm)	50
Max. neg. pressure	(Pa)	22.000	Dust collection bin	(liter)	70
Max. airflow	(m <sup>3</sup> /h)	275	Dimensions (L x W x H)	(mm)	850 x 630 x 950



## ESTA PLUS

### Application range:

For sticky substances and dust that tends to clump  
Removal of dusts that are hazardous to health and cancer-causing dust

### Your benefits at a glance:

With the use of special filtration technology this model is suitable for dry dust, sticky dust and dust that tends to clump  
Tight and easy-to-handle design  
Convenient dust disposal in a paper filter bag

### Characteristics:

Equipped with pre-separator, paper filter bag, cloth filter bag and long life cartridge filter (dust classification H)  
Three-phase device

Test Certificate: dust classification "H" and additional test B

### Modification:

Special voltage  
Special painting  
Installation of a pre-separator possible

State of the art: 8122B-51-00 Subject to change without notice! For remaining questions please do not hesitate to contact us.