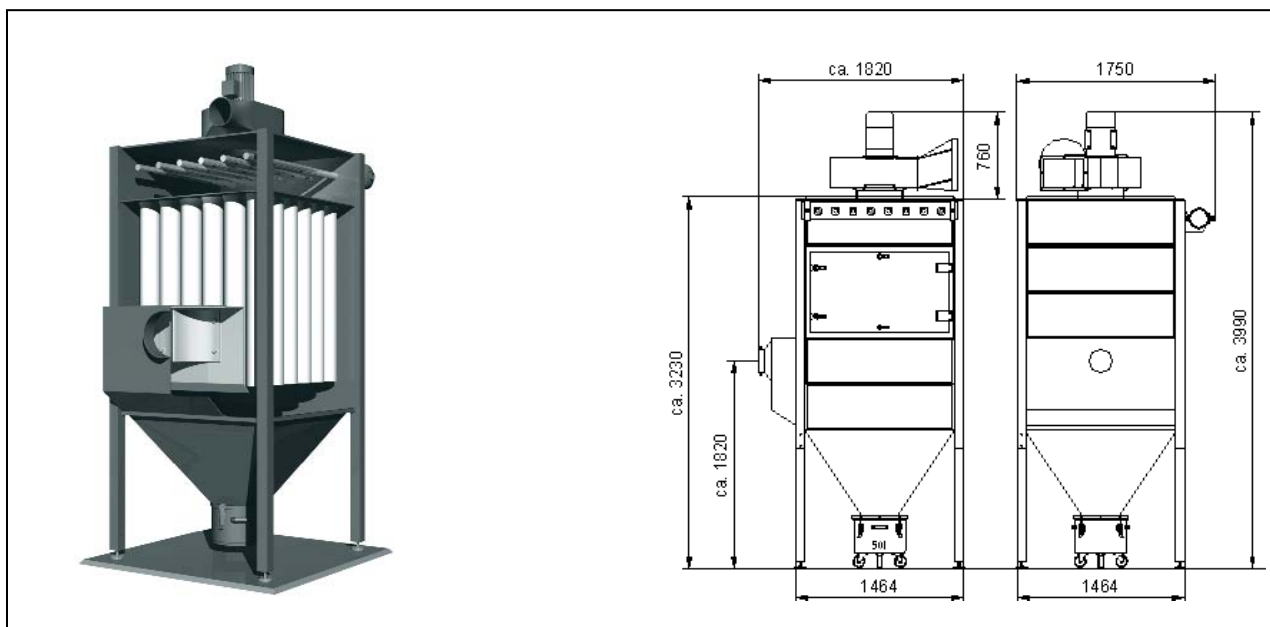


DUSTMAC S-25

(662.025)

Voltage	(V)	400	Filter surface	(m ²)	25,3
Motor	(kW)	5,5	No. of filter elements	(pc)	48
Ampere (400V/50Hz)	(A)	10,5	Filter material	dust classification "M" antist.	
Rated Frequency	(Hz)	50	Weight	(kg)	ca. 850
Fuse	(A)	16	Intake	(mm)	280
Max. neg. pressure	(Pa)	3.200	Clean air discharge	(mm)	400
Max. airflow	(m ³ /h)	5.400	Dimensions (l x w x h)	(mm)	1.820 x 1.750 x 3.990
No. of magnet valves	(pc)	8	Dust collection bin	(litre)	50
Sound power level	(dB)	76	Compressed air	(l/min)	(at 6 bar) 162



ESTA PLUS

Application range:

Central systems for multiple extraction locations of fine, long fibers and sticky dust

Your benefits at a glance

Modular for future expansion
Suitable for fine, long fibers and sticky dust
Customized design by ESTA personnel

Characteristics:

Pulse-jet filter cleaning system
Cleanable, antistatic tubular bag filters of dust classification M

Special equipment:

- with special painting

State of the art: 662025-51-02 Subject to change without notice! For remaining questions please do not hesitate to contact us.