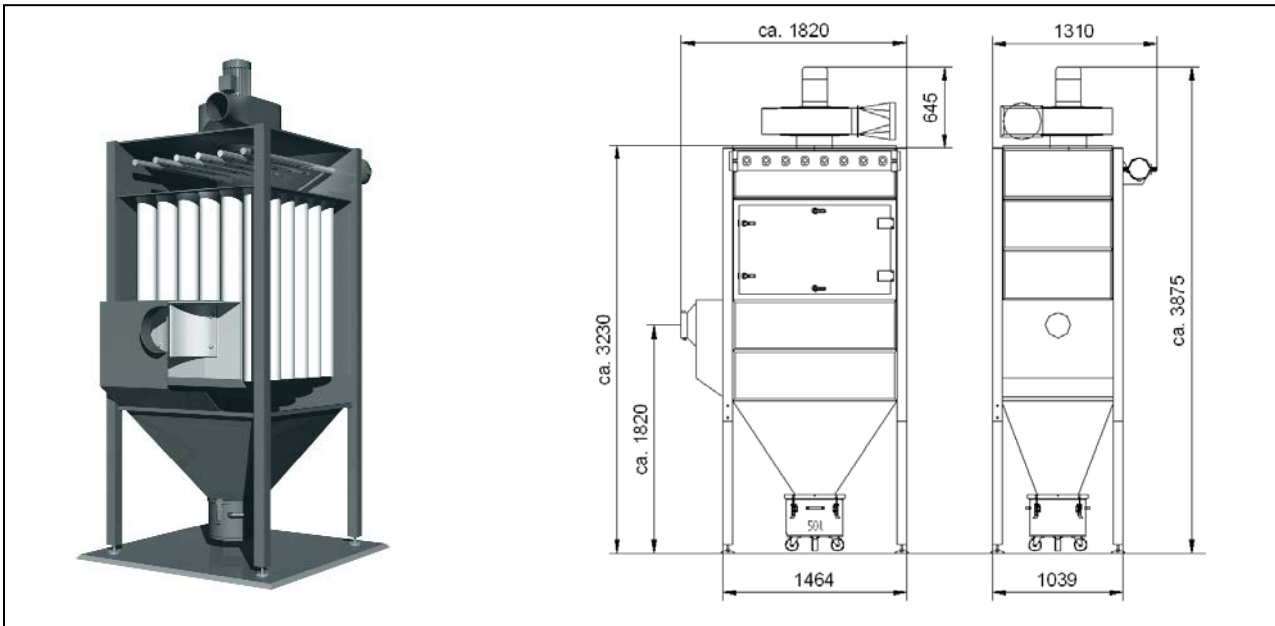


DUSTMAC S-17

(662.017)

Voltage	(V)	400	Filter surface	(m ²)	17
Motor	(kW)	4	No. of filter elements	(pc)	32
Ampere (400V/50Hz)	(A)	7,8	Filter material	dust classification "M" antist.	
Rated Frequency	(Hz)	50	Weight	(kg)	520
Fuse	(A)	16	Intake	(mm)	224
Max. neg. pressure	(Pa)	3.200	Clean air discharge	(mm)	355
Max. airflow	(m ³ /h)	4.500	Dimension (l x w x h)	(mm)	1.820 x 1.310 x 3.875
No. of magnet valves	(pc)	8	Dust collection bin	(litre)	50
Sound power level	(dB)	74	Compressed air	(l/min)	(at 6 bar) 162



ESTA PLUS

Application range:

Central systems for multiple extraction locations of fine, long fibers and sticky dust

Your benefits at a glance

Modular for future expansion
Suitable for fine, long fibers and sticky dust
Customized design by ESTA personnel

Characteristics:

Pulse-jet filter cleaning system
Cleanable, antistatic tubular bag filters of dust classification M

Special equipment:

- with special painting

State of the art: 662017-51-03 Subject to change without notice! For remaining questions please do not hesitate to contact us.