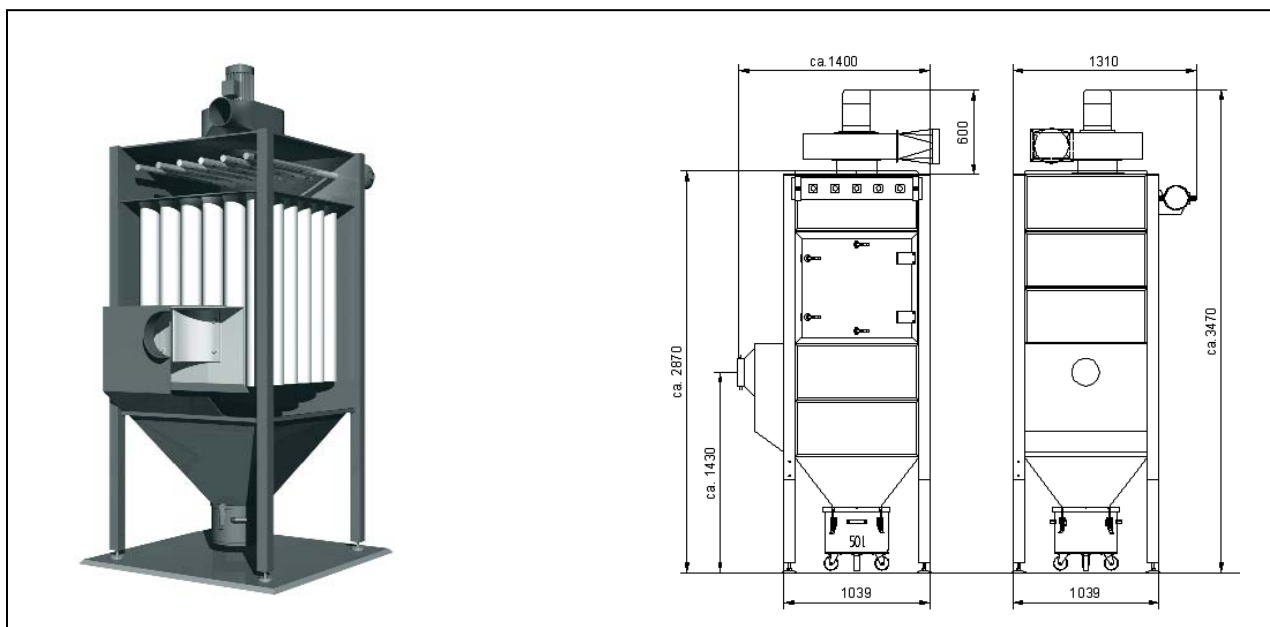


# DUSTMAC S-10

(662.010)

Voltage	(V)	400	Filter surface	(m <sup>2</sup> )	10,5
Motor	(kW)	3	No. of filter elements	(pc)	20
Ampere (400V/50Hz)	(A)	6,0	Filter material	dust classification "M" antist.	
Rated Frequency	(Hz)	50	Weight	(kg)	ca. 650
Fuse	(A)	16	Intake	(mm)	200
Max. neg. pressure	(Pa)	2.600	Clean air discharge	(mm)	300
Max. airflow	(m <sup>3</sup> /h)	3.500	Dimensions (l x w x h)	(mm)	1.400 x 1.310 x 3.470
No. of magnet valves	(pc)	5	Dust collection bin	(litre)	50
Sound power level	(dB)	69	Compressed air	(l/min)	(at 6 bar) 109,8



## ESTA PLUS

### Application range:

Central systems for multiple extraction locations of fine, long fibers and sticky dust

### Your benefits at a glance

Modular for future expansion  
Suitable for fine, long fibers and sticky dust  
Customized design by ESTA personnel

### Characteristics:

Pulse-jet filter cleaning system  
Cleanable, antistatic tubular bag filters of dust classification M

### Special equipment:

- with special painting

State of the art: 662010-51-02 Subject to change without notice! For remaining questions please do not hesitate to contact us.