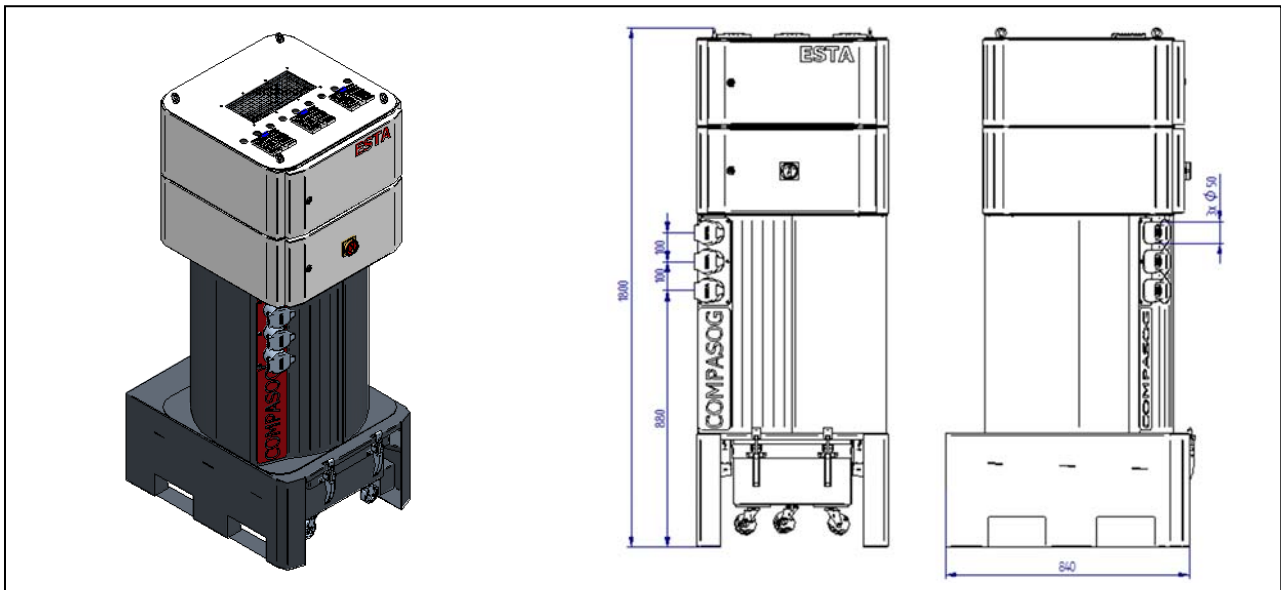


COMPASOG-SR

(55.400)

Voltage	(V)	400	Filter surface	(m ²)	8,6
Motor	(kW)	3 x 1,8	No. of filter elements	(pc)	1
Current	(A)	13	Filter material		Dust class „M“
Rated frequency	(Hz)	50	Filter cleaning		Jet-Pulse
Fuse	(A)	32	Weight	(kg)	ca. 210
max.airflow	(Pa)	22.000	Intake	(mm)	3xø50
max. neg. pressure	(m ³ /h)	980	Dust collection container (liter)		ca. 40
Sound level	(dB(A))	73	Dimensions (l x w x h)	(mm)	840 x 670 x 1.800
			Comp. air requirement	(l/impulse)	22
			Comp. air connection	(bar)	4-6



ESTA PLUS

Application range:

Central system for direct extraction at welding torches and hoods
Dust extraction for cleaning of the working area in industrial plants or smaller workshops

Your benefits at a glance:

Tight and powerful
Convenient dust disposal
Low operating costs
Usable as a central dust extractor
Suitable for nearly any type of dust

State of the art: 55400-51-00 Subject to change without notice! For remaining questions please do not hesitate to contact us.

Characteristics:

Automatic pulse-jet filter cleaning system
Integrated cyclone separator
Cleanable long life filter cartridge (dust classification M)
Brushless suction turbines (continuous operation)

Modification:

Optional with afterfilter cassette (dust classification H)
Optional in ATEX-version