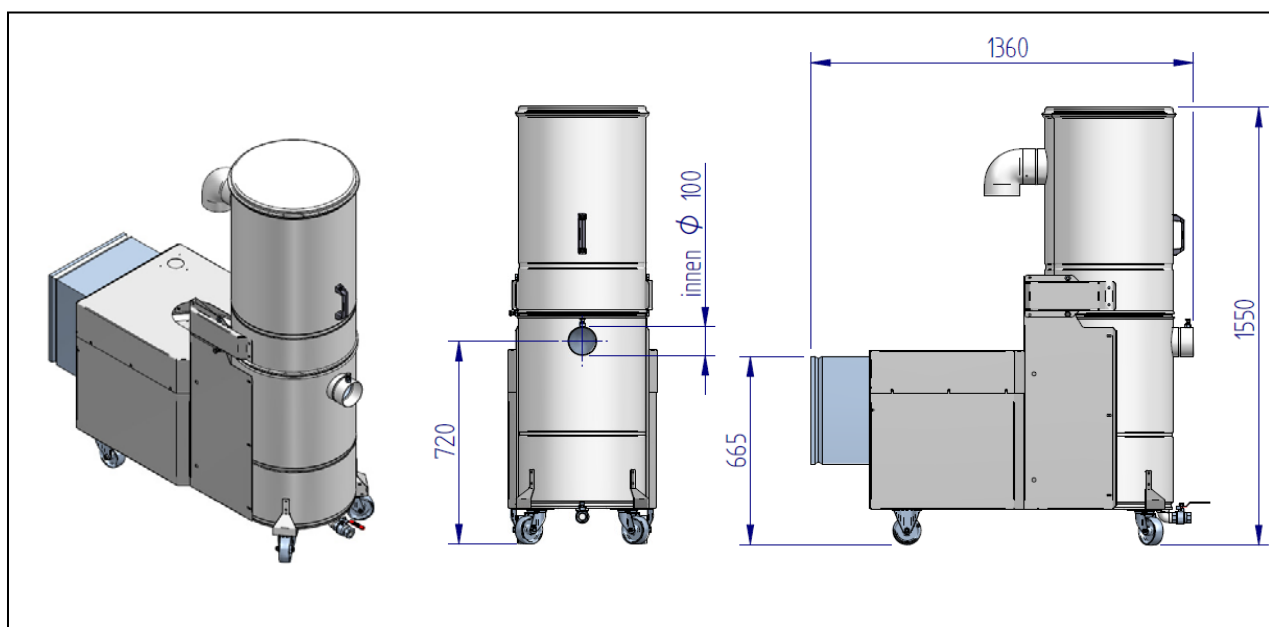


# Wet vacuum unit NA-1.1 ATEX

(45.711)

Voltage	(V)	400	Water intake	G ½"
Motor	(kW)	1,1	Water outttake	G ¾"
Current (400V/50Hz)	(A)	2,4	Intake	(mm) 100
Frequency	(Hz)=	50	Weight without water	(kg) 120
Fuse	(A)	16	Water capacity	(Liter) ca. 35
max. neg. pressure intake	(Pa)	2.800	Dimensions (l x w x h)	(mm) 1.360 x 530 x 1.550
max. airflow	(m³/h)	720		



## ESTA PLUS

### Application range:

Extraction of sticky substances  
Spark generating production processes  
Extraction of flammable, explosive and try substances  
defined as "Zone 22" types of dust (ATEX-approved version)

### Your benefits at a glance:

Extraction of aluminium dust

High suction power for sticky and wet dust  
For spark generating production

### Special Features:

Tilt back upper housing  
Magnetic valve for automatic water supply  
Stainless steel housing

State of the art: 45711-51-01 Subject to change without notice! For remaining questions please do not hesitate to contact us.