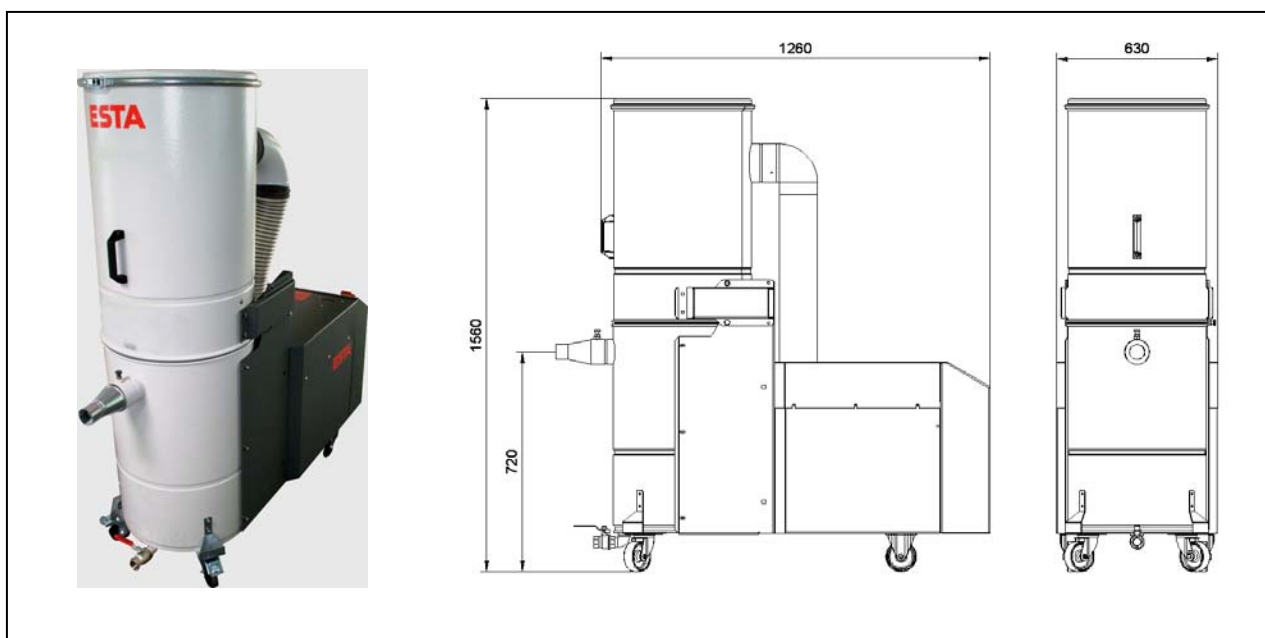


Wet separator NA-2.2

(45.612)

Voltage	(V)	400	Water capacity	(liter)	40
Motor	(kW)	2,2	Collection container	(liter)	100
Current (400V/50Hz)	(A)	4,8	Weight without water	(kg)	100
Frequency	(Hz)	50	Intake	(mm)	50
Fuse	(A)	16	Dimensions (l x w x h)	(mm)	1.260 x 630 x 1.560
max. neg. pressure intake	(Pa)	21.000			
max. airflow	(m ³ /h)	300			



ESTA PLUS

Application range:

Removal of sticky and wet dust at cleaning works
Extraction of metallic dust with flying sparks

Your benefits at a glance:

Compact and powerful
Low operating costs
Easy disposal of the waste water by using the mud drain
Available in stainless steel version
High suction power for sticky and wet dust
For spark generating production

Special Features:

Tilt back upper housing
Magnetic valve for automatic water supply
Stainless steel housing
Optional ATEX-Modification
Especially recommended for grinding applications that are generating sparks

State of the art: 45612-51-00 Subject to change without notice! For remaining questions please do not hesitate to contact us.