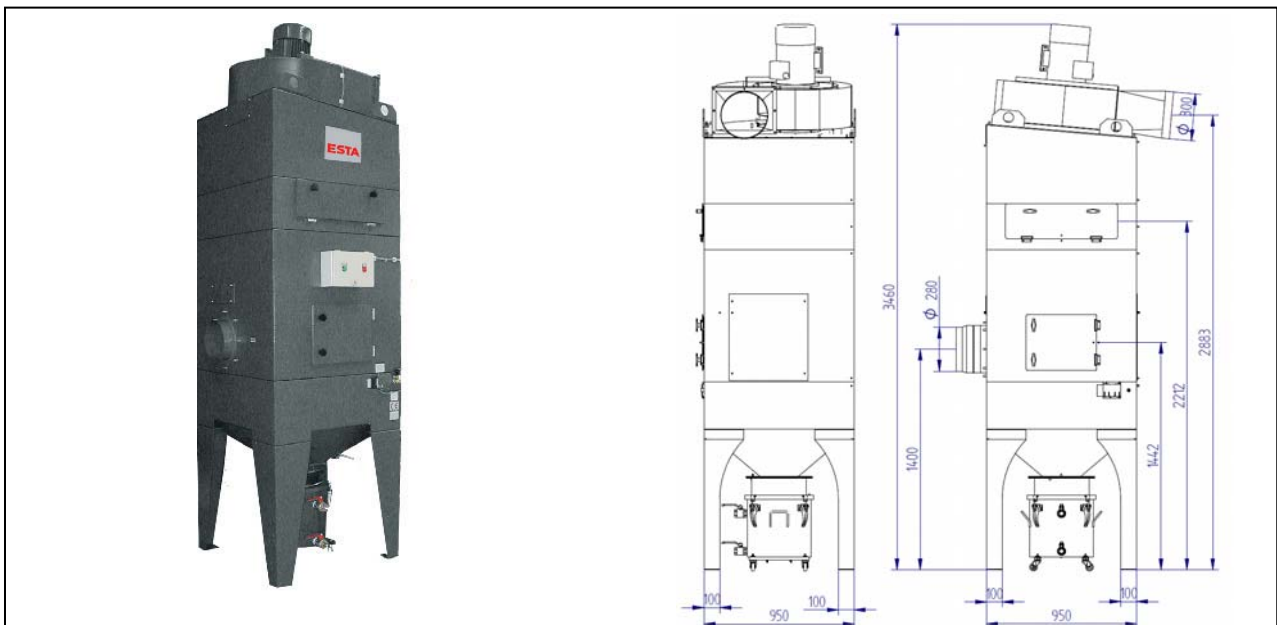


NA-K 1800

(45.183)

Voltage	(V)	400	Water capacity	(Liter)	290
Motor	(kW)	3	Water connection		G ¾"
Current (400V/50Hz)	(A)	10,4	Intake / Outlet diameter	(mm)	180/280
Fuse	(A)	16	Weight (without water)	(kg)	340
max. negative pressure	(Pa)	4.300	Dust collection bin	(Liter)	50
max. airflow	(m ³ /h)	2.160	Dimensions (l x w x h)	(mm)	800 x 800 x 2.940



ESTA PLUS

Application range:

Dust extraction at individual or multiple workstations of adhesive and moistly dusts, especially metallic dusts that are sparks generating

As central exhaust station with intercepting pipe and several extraction points

Your benefits at a glance

High suction power for adhesive and moistly dusts
Ideal solution for sparks generating applications
High filtration efficiency (ESTA efficiency guarantee)

Characteristics:

Especially recommended for grinding applications that are generating sparks

Optional with special painting

State of the art: 45183-51-01 Subject to change without notice! For remaining questions please do not hesitate to contact us.