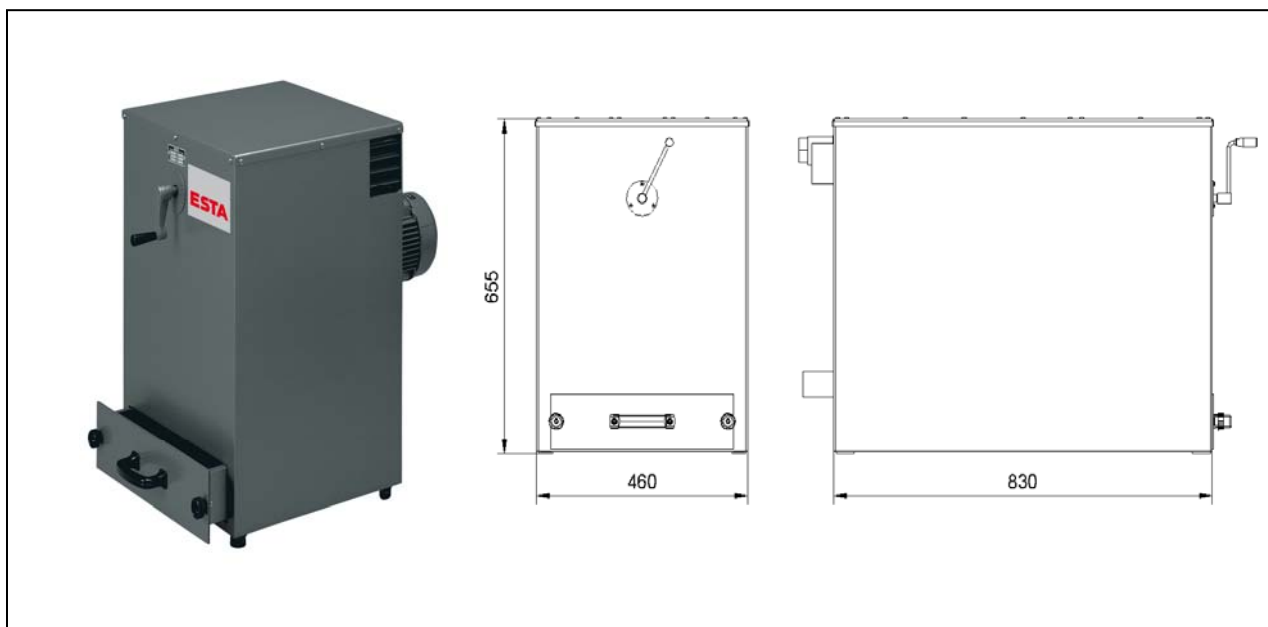


TK-2.2

(41.033)

Voltage	(V)	400	Speed	(1/min)	2.800
Motor	(kW)	2,2	Weight	(kg)	106
Intake diameter	(mm)	50	Max. neg. pressure	(Pa)	21.000
max. airflow	(m ³ /h)	300	Dimensions (l x w x h)	(mm)	830 x 460 x 655



ESTA PLUS

Application Range:

Single extraction in industrial plants or smaller Workshops

Your benefits at a glance:

Minimal space requirement
Easy to use
Cleanable, long-life pocket type fabric filter
Low operating costs

Characteristic:

Cleanable pocket type fabric filter through crank mechanism
High pressure per side channel blower

Modifications:

Different filter materials, exhaust air connection
special voltage, special painting

State of the art: 41033-51-00 Subject to change without notice! For remaining questions please do not hesitate to contact us.