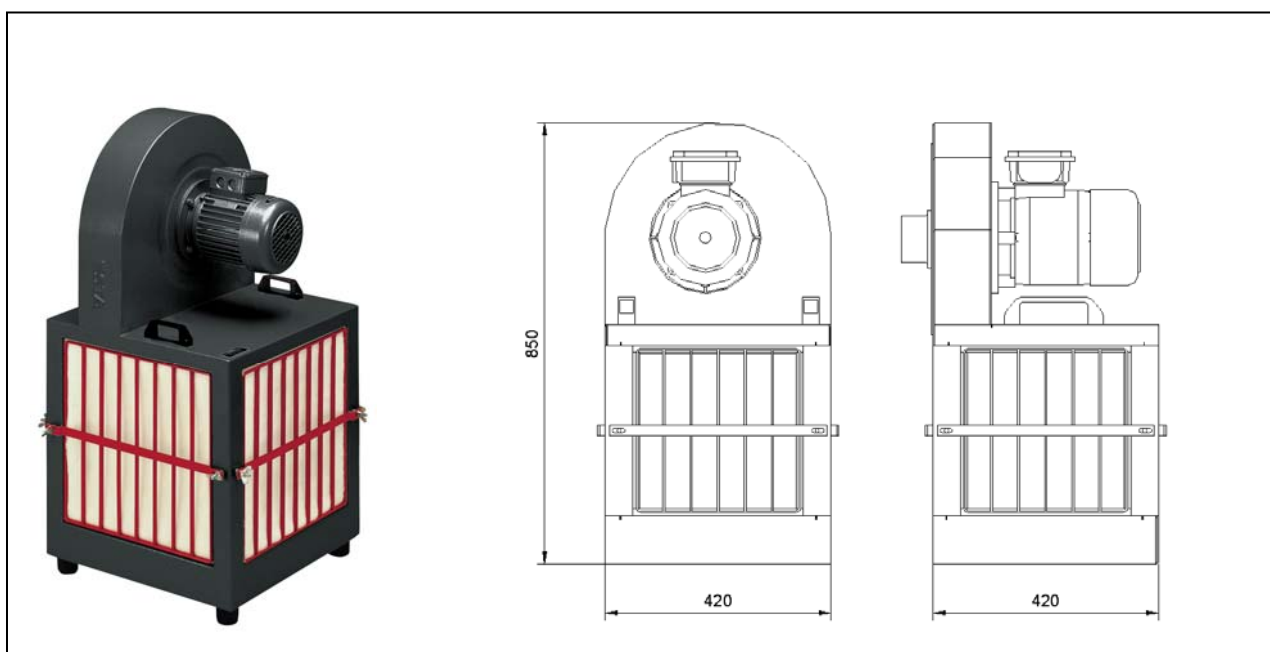


ESTA 100

(11.101)

Voltage	(V)	400	Max. airflow	(m ³ /h)	1.000
Motor	(kW)	0,55	Speed	(1/min)	2.800
Intake diameter	(mm)	100	Weight	(kg)	35
Max. neg. pressure	(Pa)	1.000	Dimensions (l x w x h)	(mm)	420 x 420 x 850
Fuse	(A)	1,54			



ESTA PLUS

Application Range:

Single extraction in industrial plants or smaller Workshops

Ihr Nutzen auf einen Blick

Low operating cost
Wide range of applications
Low maintenance
Minimal space requirement
Very easy to use

Characteristic :

Stationary but compact enough to move around if necessary

Modifications :

With filter materials PA 500
With motor with alternating current
With special painting

State of the art:: 11101-51-00 Subject to change without notice! For remaining questions please do not hesitate to contact us.