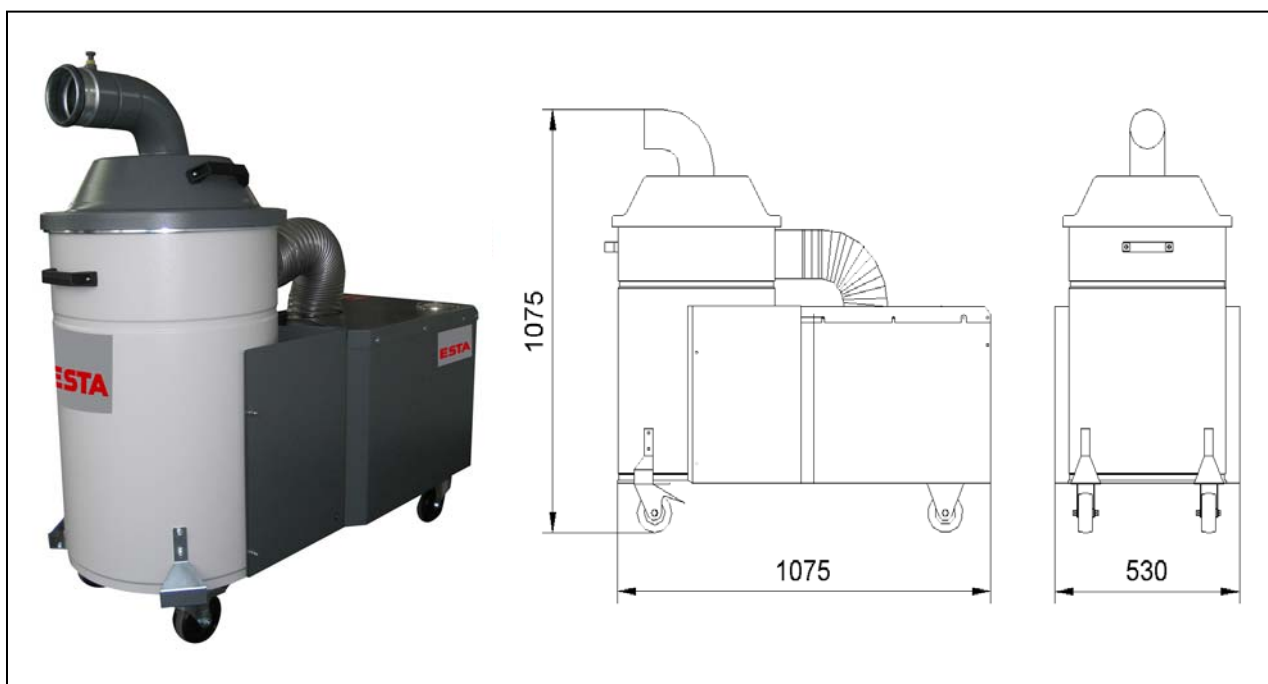


# DUSTOMAT 100-S / 230 V

(09.500)

Voltage	(V)	230	Max. neg. pressure	(Pa)	2.800
Motor	(kW)	1,3	Max. airflow	(m <sup>3</sup> /h)	720
Ampere	(A)	8	Dust collection bin	(Liter)	100
Rated frequency	(Hz)	50	Weight	(kg)	70
Fuse	(A)	16	Intake $\varnothing$	(mm)	100
Filter surface	(m <sup>2</sup> )	0,75	Dimensions (l x w x h)	(mm)	1.075 x 530 x 1.075
Filtertype	cotton with paper filter bag				



## ESTA PLUS

### Application range:

Extraction in textile and flocking industry, especially suitable for the extraction of sticky and fibrous dust and dust that tend to clump

### Your benefits at a glance:

Specialized dust extractor for sticky dust and dust containing long fibres

Compact design with high extraction performance

Easily replaceable paper filter bag to collect the dust

### Special features:

Filter:

Fabric filter element with primary paper filter bag

Optional type examination certificate

State of the art: 09500-51-01 Subject to change without notice! For remaining questions please do not hesitate to contact us.