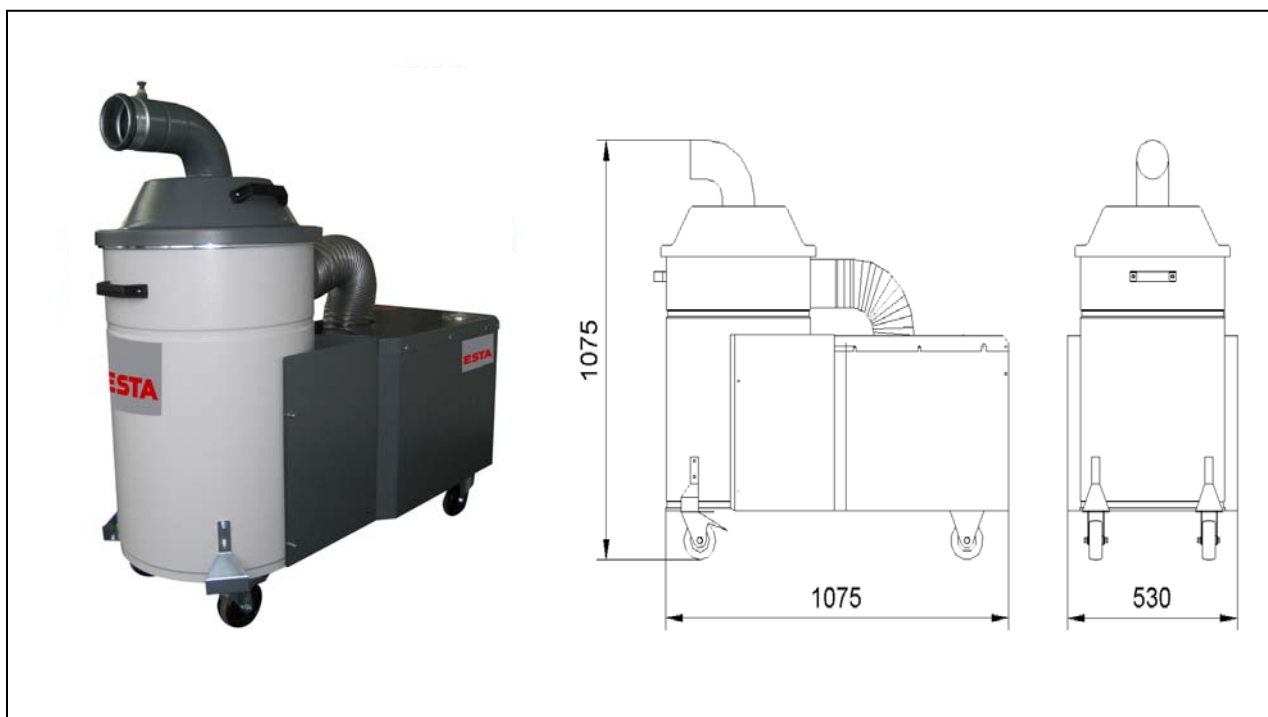


DUSTOMAT 100-S / 400 V

(09.497)

Voltage	(V)	400	Max. neg. pressure	(Pa)	2.800
Motor	(kW)	1,1	Max. airflow	(m ³ /h)	720
Ampere	(A)	2,6	Dust collection bin	(Liter)	100
Rated frequency	(Hz)	50	Weight	(kg)	100
Fuse	(A)	16	Intake \varnothing	(mm)	100
Filter surface	(m ²)	0,75	Dimensions (l x w x h)	(mm)	1.075 x 530 x 1.075
Filtertype	cotton with paper filter bag				



ESTA PLUS

Application range:

Extraction in textile and flocking industry, especially suitable for the extraction of sticky and fibrous dust and dust that tend to clump

Special features:

Filter:
Fabric filter element with primary paper filter bag

Your benefits at a glance:

Specialized dust extractor for sticky dust and dust containing long fibres

Compact design with high extraction performance

Easily replaceable paper filter bag to collect the dust

Optional type examination certificate

State of the art: 09497-51-01 Subject to change without notice! For remaining questions please do not hesitate to contact us.