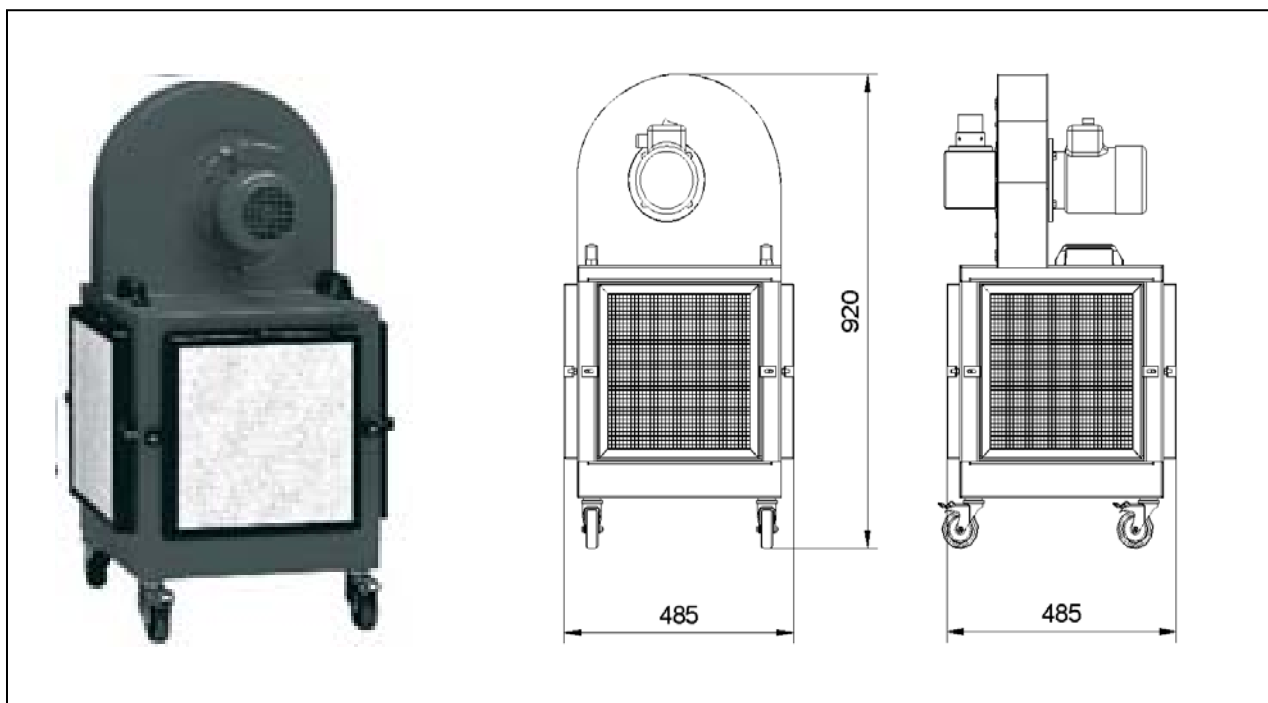


KAF 100

(07.101L)

Voltage	(V)	230	Max. neg. pressure	(Pa)	1.100
Motor	(kW)	0,55	Max. airflow	(m ³ /h)	700
Rated frequency	(Hz)	50	Weight	(kg)	42
Control mode		S3	Dimensions (l x w x h)	(mm)	485 x 485 x 920
Intake	(mm)	1 x 100 or 2 x 50			



ESTA PLUS

Application Range:

Extraction of single and multiple workstations
In laboratories and precision mechanical workplaces
Soldering fume

Your benefits at a glance:

Compact and functional design
Mobile for versatile use
Odor reduction through optional activated carbon filter

Characteristic:

Filter cassette with active carbon

Optional features:

Special painting, special voltage, odor reduction
through optional filter, with dust filter

State of the art: 07101L-51-00 Subject to change without notice! For remaining questions please do not hesitate to contact us.